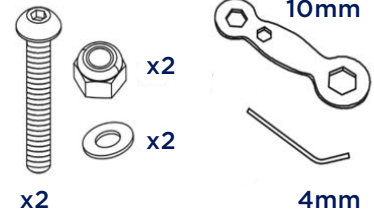
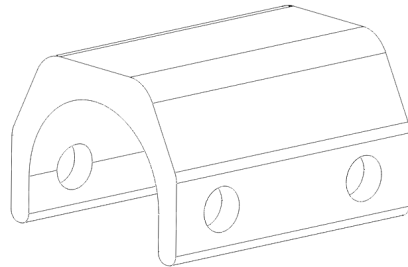


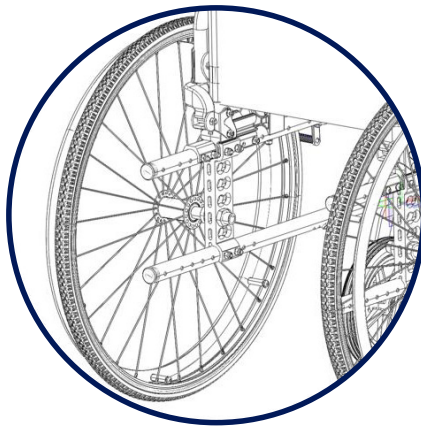
# STUMP SUPPORT EXTENSION BRACKET

## INSTALLATION GUIDE

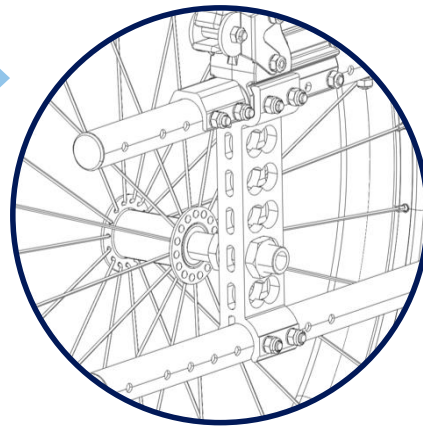
TOOLS REQUIRED:



01



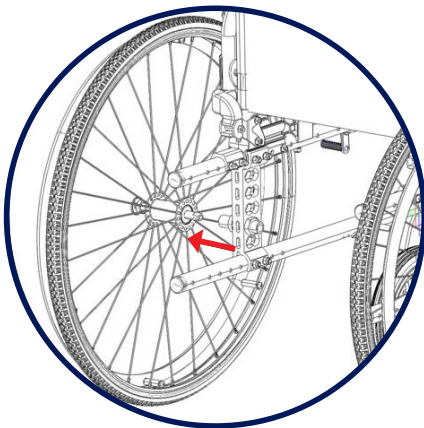
Original position



Detail

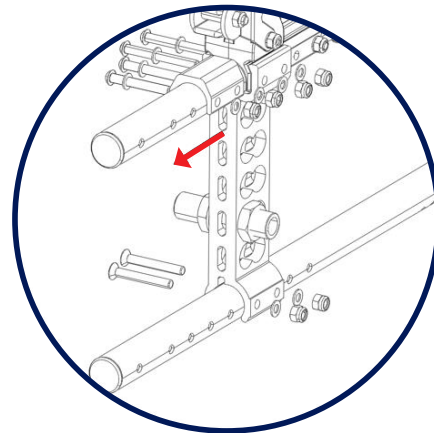
02

Detach wheel off the frame.

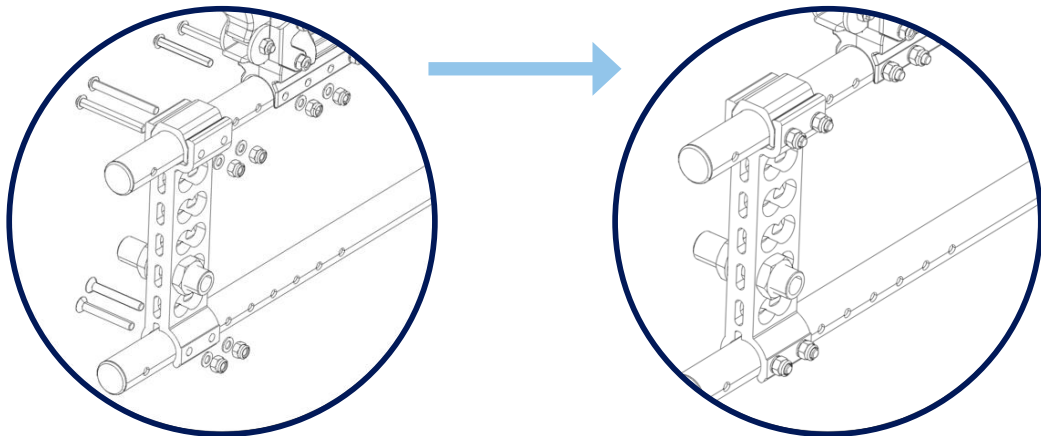


03

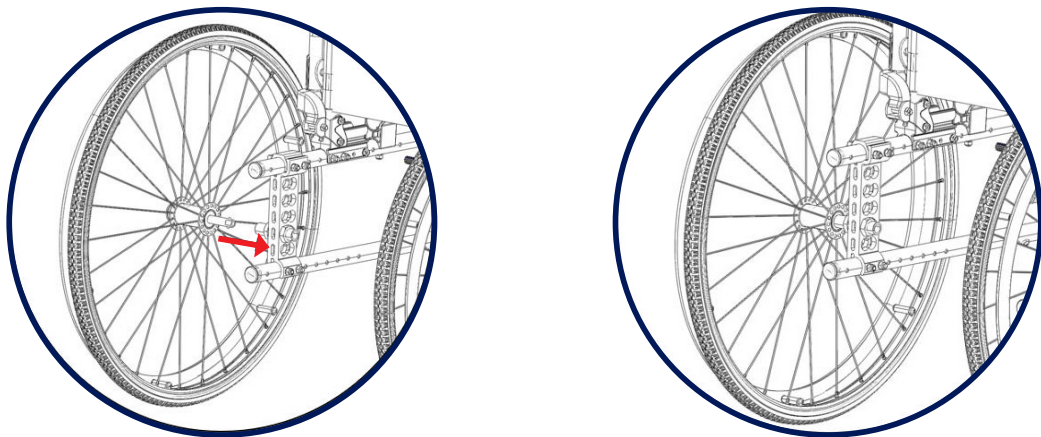
Loosen fastener, then move the support backward.



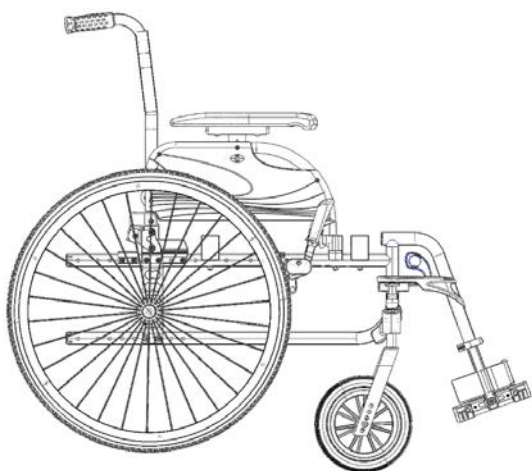
**04** Tighten the 2 long bolts in the new position, then the 2 short bolts in original position.



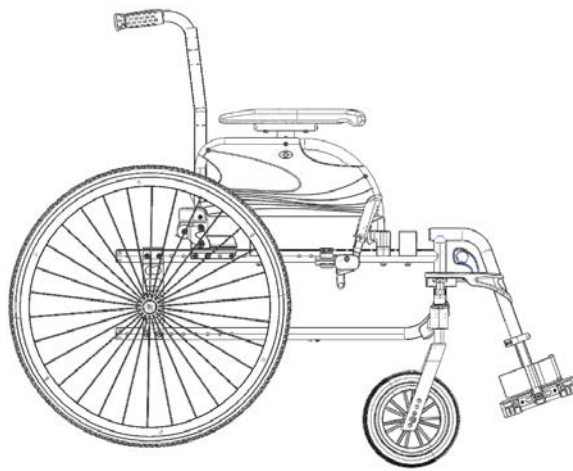
**05** Loosen fastener, then move the support backward.



**Before**



**After**



ASUM68.2 010621