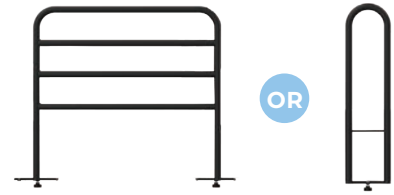


8.3 BED RAIL & CROOK HANDLE

HOW TO FIT TO BED

BED RAIL / BED STICK



ACCESSORIES	Bed Rail BEA830212	Crook Handle BEA830211
-------------	--------------------	------------------------

For further installation and operating instructions, refer to the **User Manual**.

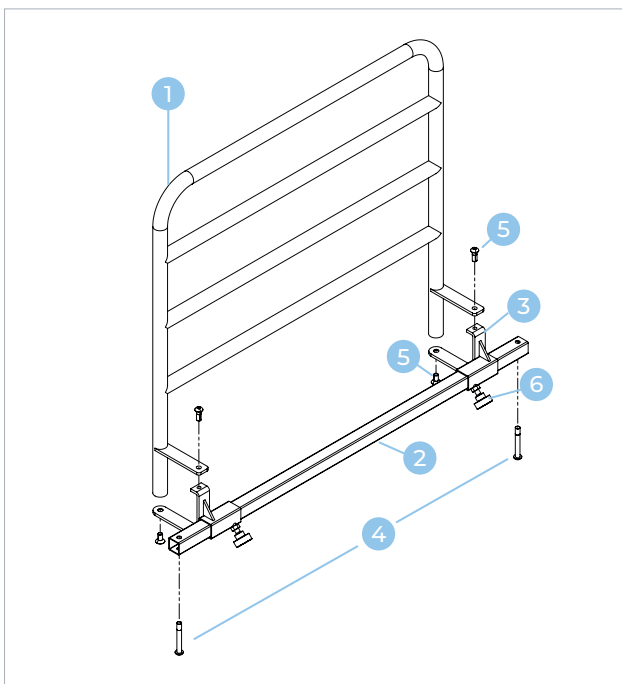


TOOLS REQUIRED:

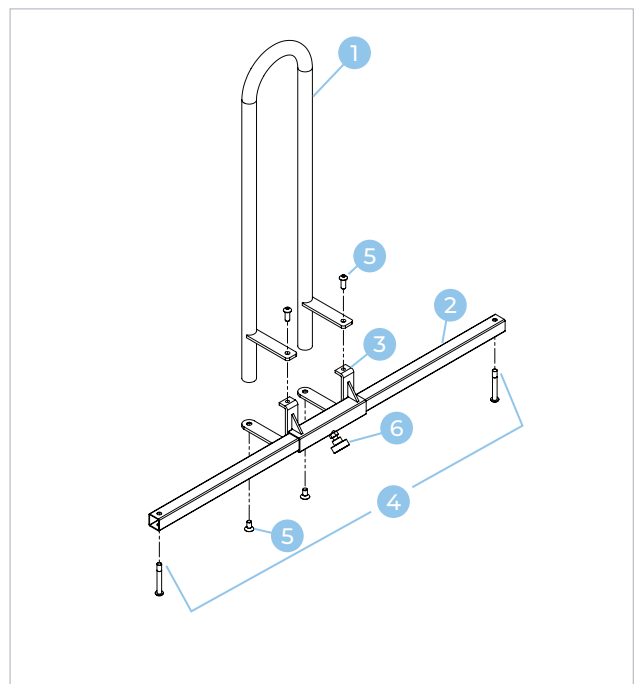
- Allen Key (5mm)

KIT CONTENTS

Bed Rail



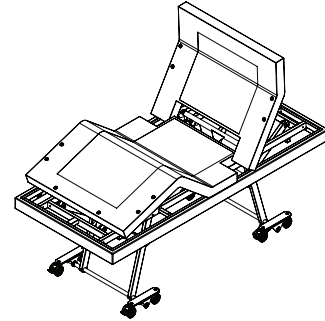
Crook Handle



Item	Qty (Bed Rail)	Qty (Crook Handle)	Description
1	1	1	Rail
2	1	1	Mounting Tube
3	2	1	Mounting Bracket
4	2	2	M8 x 40 Bolt
5	4	4	M8 x 20 Bolt
6	2	1	Handwheel

- 1 Raise bed height, backrest and legrest to maximum height for ease of access.

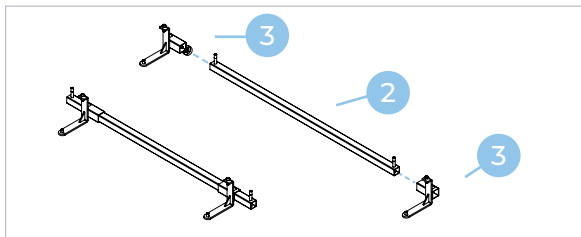
To adjust:



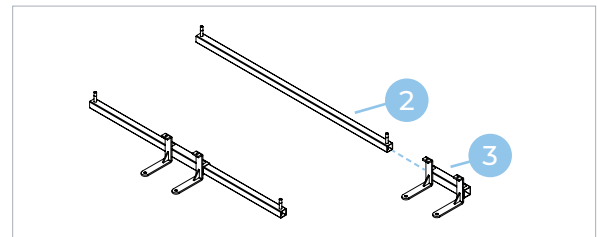
Bed once adjusted

- 2 Slide the mounting bracket(s) 3 onto the mounting tube 2.
For bed rail: Ensure handwheel bolts are pointing towards each other as shown.

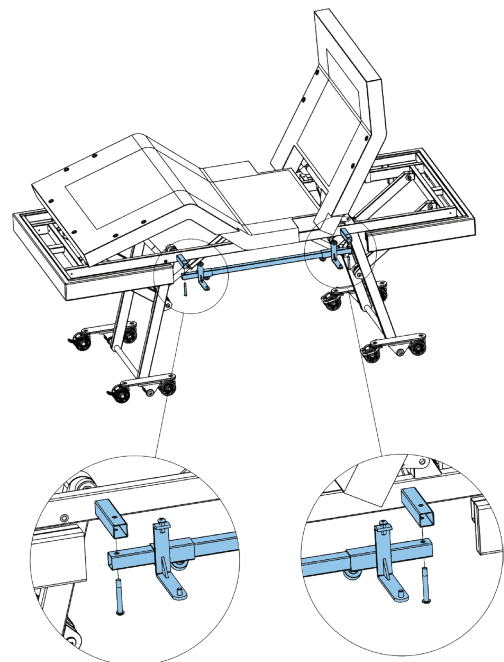
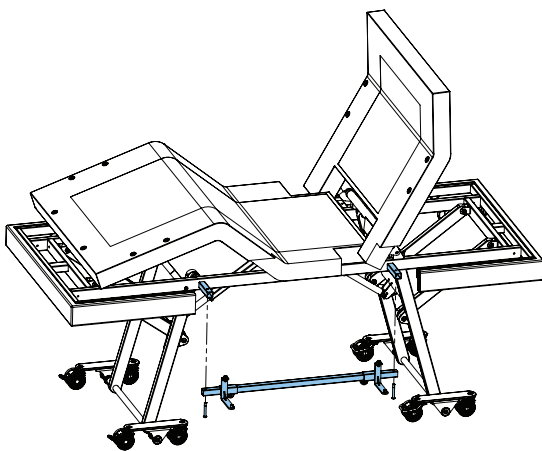
Bed Rail



Crook Handle

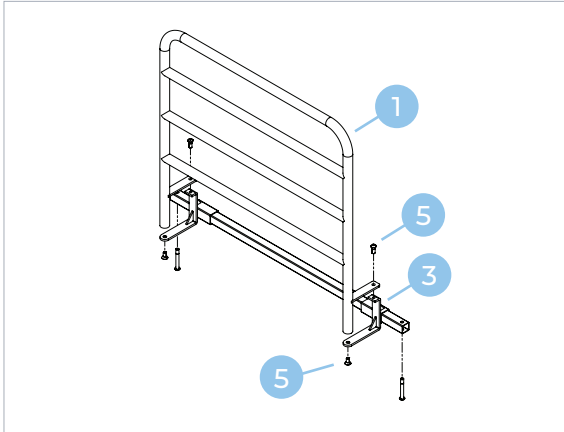


- 3 Assemble the mounting tube 2 onto the bed using the 40mm bolts 4.

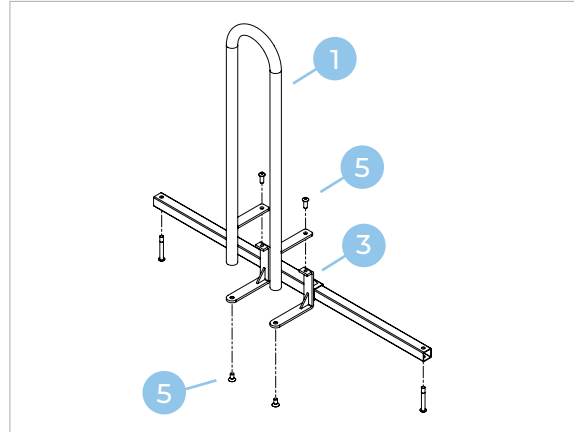


- 4 Mount the rail 1 to the mounting brackets 3 using the bolts 5.
NOTE: Images show assembly without the bed for clarity.

Bed Rail



Crook Handle



- 5 Loosen the hand wheel(s) 6 and gently slide rail 1 to desired position. Once in place, tighten the hand wheel(s) to lock in place.

