

8.4 EXTENDABLE BED RAIL



HOW TO FIT TO BED

EXTENDABLE BED RAIL

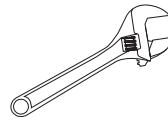
ACCESSORIES	Extendable Bed Rail BEA830205
--------------------	--------------------------------------

For further installation and operating instructions, refer to the **User Manual**.

TOOLS REQUIRED:

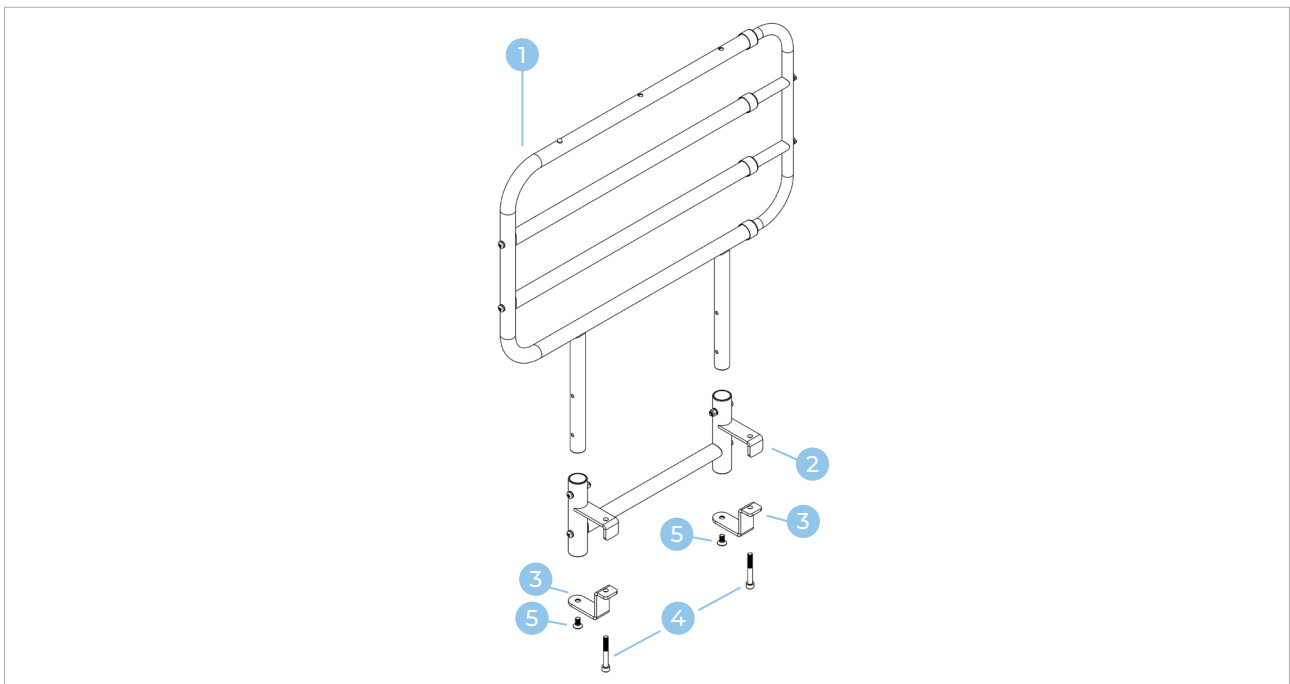


Allen Key (5mm)



Adjustable Shifter/Spanner

KIT CONTENTS



Item	Qty	Description
1	1	Extendable Rail
2	2	Mounting Bracket
3	2	Locking Bracket
4	2	Bolts (Long)
5	2	Bolts (Short)

- 1 Raise bed height, backrest and legrest to maximum height for ease of access.

To adjust:



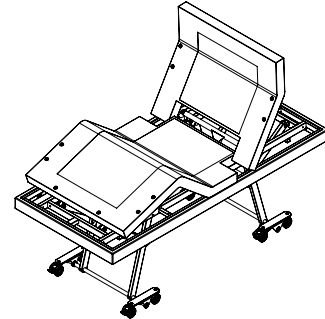
HI-LO
Raise to Max



BACKREST
Raise to Max

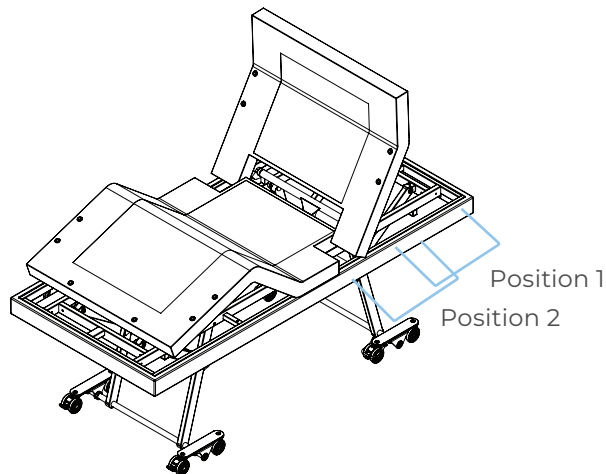


LEGREST
Raise to Max

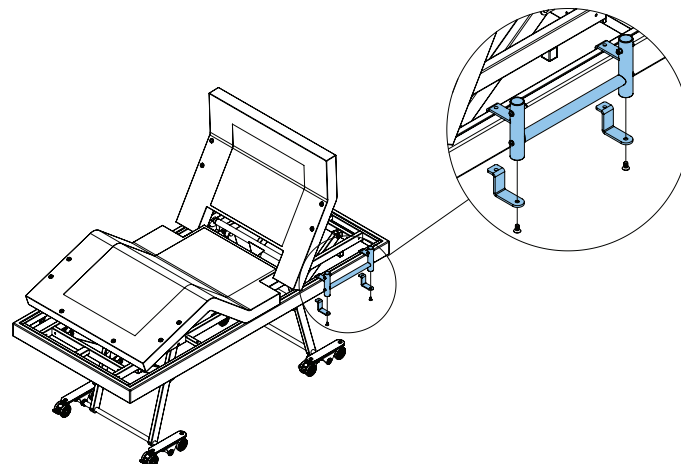


Bed once adjusted

- 2 Locate holes drilled under the backrest. For Long Single and King Single beds - The extendable rail can be mounted in one of two positions shown. For Long Double and Queen size beds - only position 1 is available.

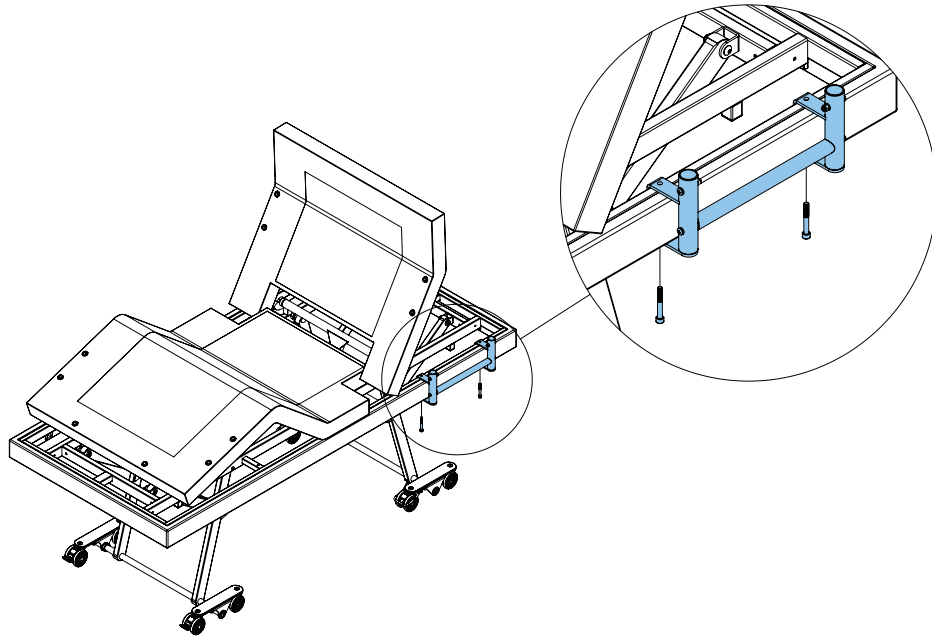


- 3 Position mounting bracket in desired position along outer frame and attach the locking brackets 3 to the underside of the rails using the short bolts 5. Do not fully tighten.



4

Thread the long bolts through the locking brackets 3 and the bed frame and thread through the top of the mounting bracket 2 to lock in place.

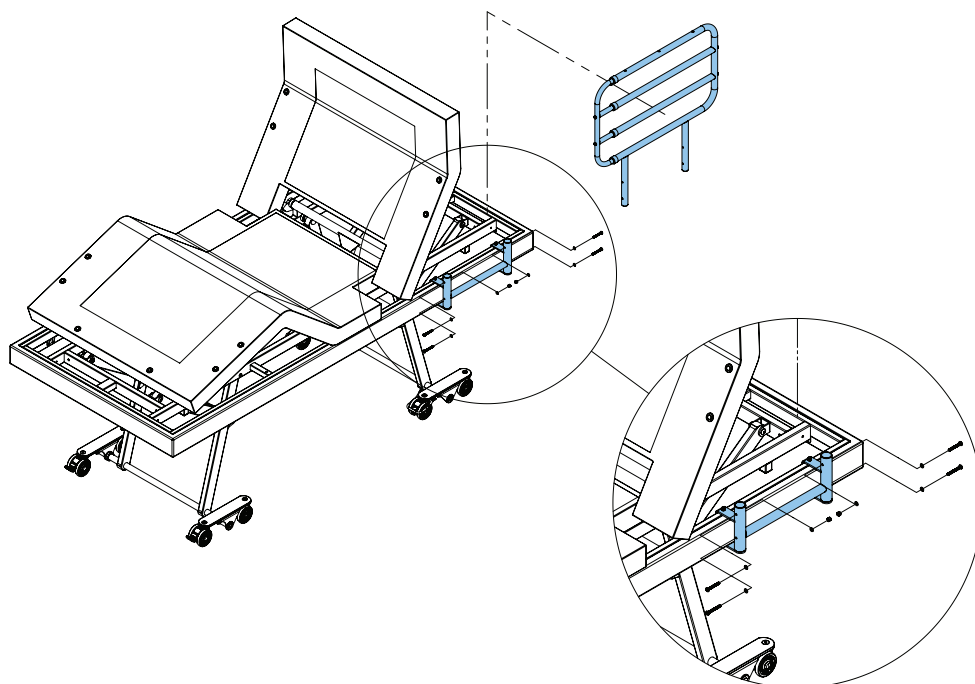


5

Tighten the short bolts and long bolts to fully lock in place

6

Mount the extendable rail 1 onto the mounting bracket, ensuring the extendable section of the rail faces towards the FOOT end of the bed and lock in place with the hardware supplied (hardware is mounted onto rail).



7

Assembly is now complete.

To extend the rail: press down the indicated button and pull the rail towards the foot end. Rail will lock in position

To retract the rail: press down the indicated button and push the rail towards the head end. Rail will lock in position

